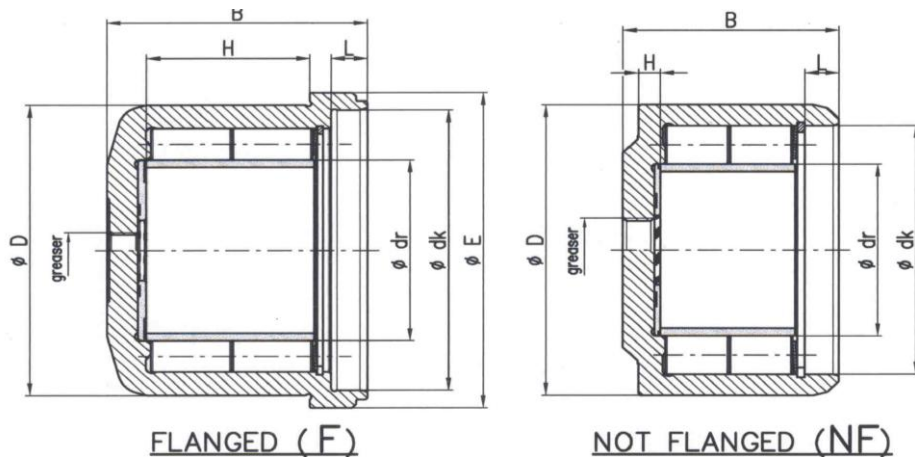


**DO NOT USE THESE DRAFT DRAWINGS TO ORDER BEARINGS.  
ASK CPM TECHNICAL SERVICE FOR DETAILED DRAWINGS  
AND FOR DIFFERENT DIMENSIONS OR TYPES.**

| D   | dr     | B     | H     | dk     | L     | E      | greaser   | BASIC DYNAMIC RADIAL<br>LOAD RATING<br>Cr kN | BASIC STATIC RADIAL<br>LOAD RATING<br>Cor kN | TYPE | P / N |
|-----|--------|-------|-------|--------|-------|--------|-----------|--|--|------|-------|
| 72  | 49,630 | 52,00 | 8,00  | 63,00  | 11,00 | -      | -         | 113,0  | 194,0  | NF   | 2689  |
| 72  | 49,630 | 52,00 | 8,00  | 63,00  | 11,00 | -      | M10 x 1   | 113,0  | 194,0  | NF   | 2760  |
| 74  | 45,800 | 54,50 | 9,00  | 61,80  | 9,00  | -      | M18 x 1,5 | 126,4  | 191,3  | NF   | 2800  |
| 74  | 45,800 | 58,00 | 37,50 | 63,00  | 10,30 | 82,00  | -         | 126,4  | 191,3  | F    | 2542  |
| 74  | 45,810 | 57,00 | 8,50  | 63,00  | 11,55 | -      | -         | 133,0  | 204,0  | NF   | 2690  |
| 74  | 49,630 | 52,00 | 8,00  | 63,00  | 11,00 | -      | M10 x 1   | 113,0  | 194,0  | NF   | 2759  |
| 83  | 48,920 | 56,00 | 5,70  | 70,92  | 8,80  | -      | M18 x 1,5 | 159,3  | 215,0  | NF   | 2749  |
| 83  | 50,820 | 71,30 | 7,70  | 72,00  | 7,90  | -      | M18 x 1,5 | 207,0  | 321,0  | NF   | 2691  |
| 83  | 51,500 | 61,50 | 9,50  | 69,50  | 9,50  | -      | M18 x 1,5 | 163,6  | 254,8  | NF   | 2803  |
| 83  | 51,530 | 67,60 | 42,36 | 80,00  | 9,50  | 90,00  | M10 x 1   | 178,0  | 283,0  | F    | 2761  |
| 83  | 54,350 | 70,30 | 44,50 | 80,00  | 10,50 | 90,00  | M10 x 1   | 190,0  | 314,0  | F    | 2688  |
| 95  | 57,160 | 69,50 | 6,70  | 81,16  | 10,50 | -      | M18 x 1,5 | 225,4  | 329,9  | NF   | 2747  |
| 95  | 59,500 | 78,70 | 49,50 | 90,00  | 9,50  | 105,00 | M10 x 1   | 238,0  | 376,0  | F    | 2751  |
| 95  | 59,500 | 78,70 | 49,50 | 90,00  | 9,50  | 105,00 | M10 x 1   | 245,0  | 392,0  | F    | 2692  |
| 110 | 66,040 | 77,00 | 7,70  | 92,04  | 10,00 | -      | M22 x 1,5 | 290,0  | 432,0  | NF   | 2748  |
| 110 | 68,700 | 90,00 | 55,50 | 100,00 | 9,50  | 122,00 | -         | 330,0  | 530,0  | F    | 2584  |



DO NOT USE THESE DRAFT DRAWINGS TO ORDER BEARINGS.  
 ASK CPM TECHNICAL SERVICE FOR DETAILED DRAWINGS  
 AND FOR DIFFERENT DIMENSIONS OR TYPES.

| D   | dr      | B      | H     | dk     | L     | E      | greaser   | BASIC DYNAMIC RADIAL<br>LOAD RATING<br>Cr kN | BASIC STATIC RADIAL<br>LOAD RATING<br>Cor kN | TYPE | P / N |
|-----|---------|--------|-------|--------|-------|--------|-----------|--|--|------|-------|
| 110 | 68,700  | 90,00  | 55,50 | 100,00 | 9,50  | 122,00 | M10 x 1   | 330,0  | 530,0  | F    | 2762  |
| 110 | 72,350  | 90,00  | 54,00 | 100,00 | 9,50  | 122,00 | M10 x 1   | 315,0  | 538,0  | F    | 2802  |
| 120 | 78,420  | 98,00  | 60,85 | 115,00 | 10,50 | 129,00 | M10 x 1   | 380,0  | 665,0  | F    | 2809  |
| 120 | 80,020  | 96,00  | 60,85 | 115,00 | 10,50 | 129,00 | -         | 385,0  | 683,0  | F    | 2572  |
| 130 | 80,950  | 80,00  | 8,70  | 110,95 | 9,30  | -      | M22 x 1,5 | 365,0  | 552,0  | NF   | 2745  |
| 130 | 81,280  | 105,50 | 68,85 | 115,00 | 10,50 | 145,00 | -         | 485,0  | 760,0  | F    | 2614  |
| 130 | 81,280  | 107,00 | 66,85 | 115,00 | 10,50 | 145,00 | M18 x 1,5 | 450,0  | 731,0  | F    | 2780  |
| 145 | 96,460  | 84,50  | 9,50  | 128,46 | 10,30 | -      | M26 x 1,5 | 425,0  | 685,0  | NF   | 2746  |
| 160 | 102,800 | 96,50  | 10,50 | 138,80 | 10,30 | -      | M26 x 1,5 | 540,0  | 866,0  | NF   | 2741  |
| 175 | 114,250 | 113,00 | 9,50  | 154,25 | 10,80 | -      | M26 x 1,5 | 730,0  | 1220,0                                       | NF   | 2797  |
| 188 | 118,650 | 126,00 | 11,00 | 162,65 | 13,80 | -      | M26 x 1,5 | 850,0  | 1400,0                                       | NF   | 2771  |
| 215 | 140,260 | 136,50 | 12,00 | 192,26 | 13,80 | -      | M36 x 1,5 | 1090,0                                       | 1810,0                                       | NF   | 2772  |
|     |         |        |       |        |       |        |           |  |  |      |       |
|     |         |        |       |        |       |        |           |  |  |      |       |
|     |         |        |       |        |       |        |           |  |  |      |       |
|     |         |        |       |        |       |        |           |  |  |      |       |